

Figure 1 (Prior art)

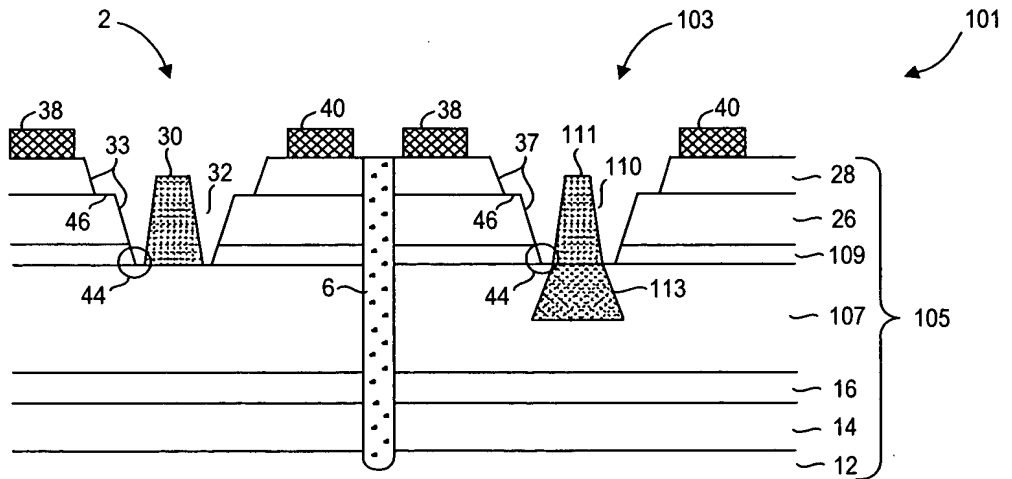


Figure 2

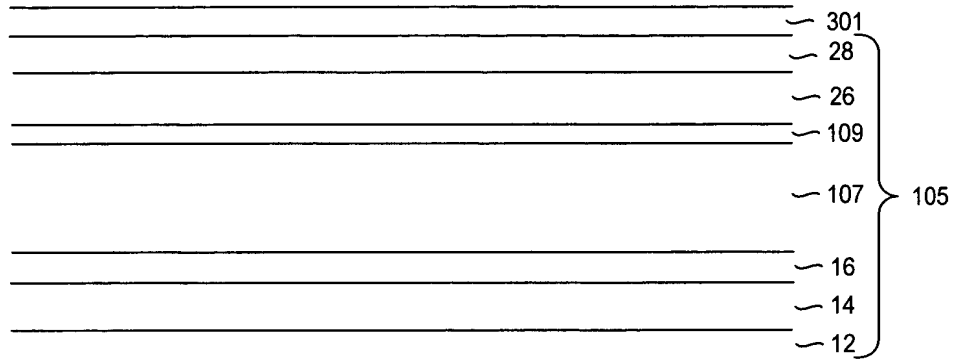


Figure 3A

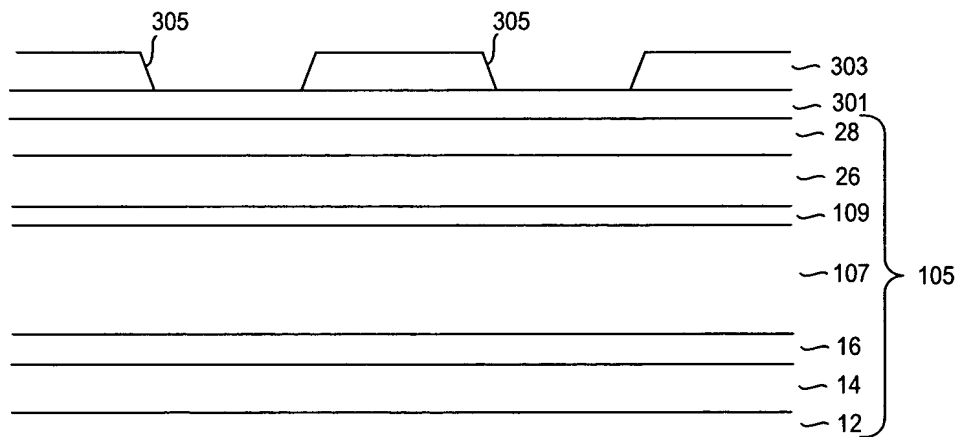


Figure 3B

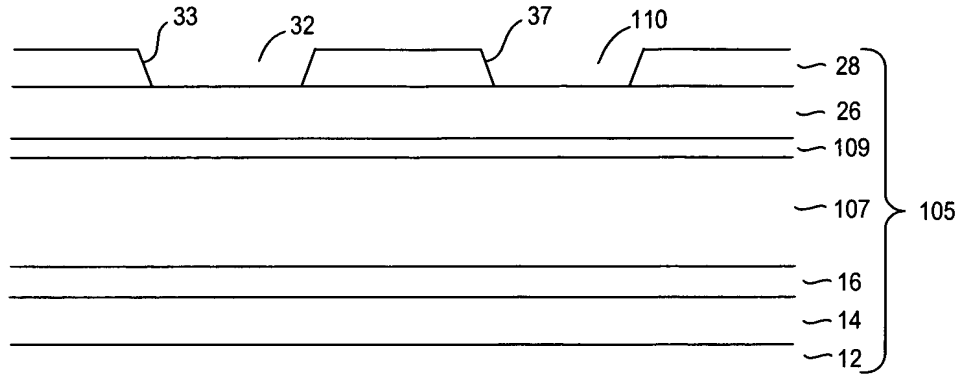


Figure 3C

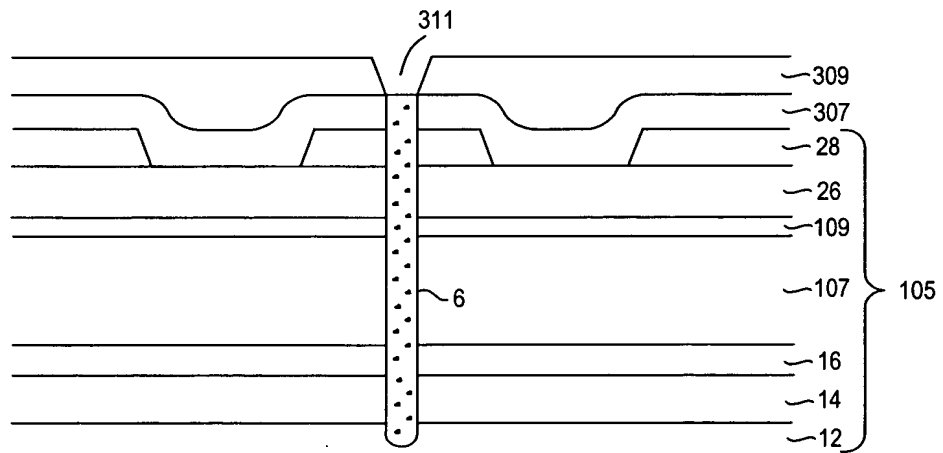


Figure 3D

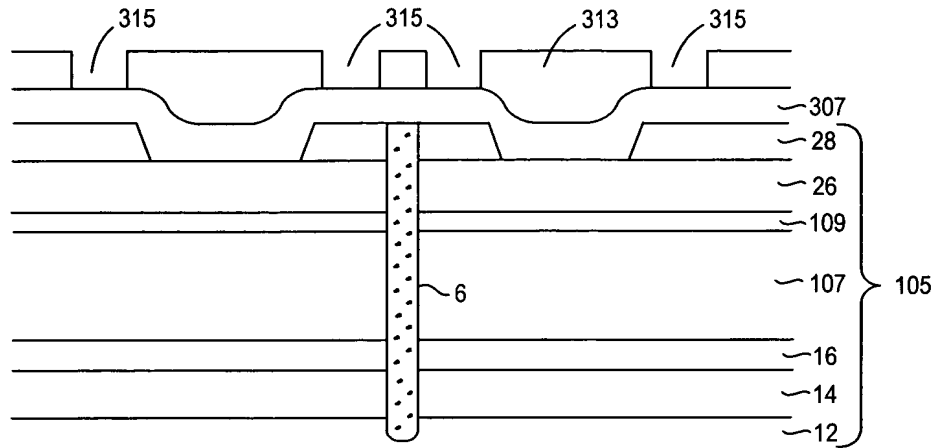


Figure 3E

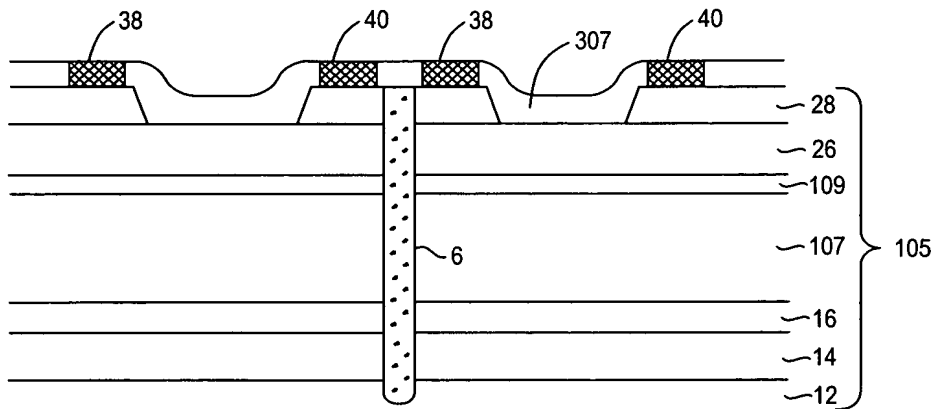


Figure 3F

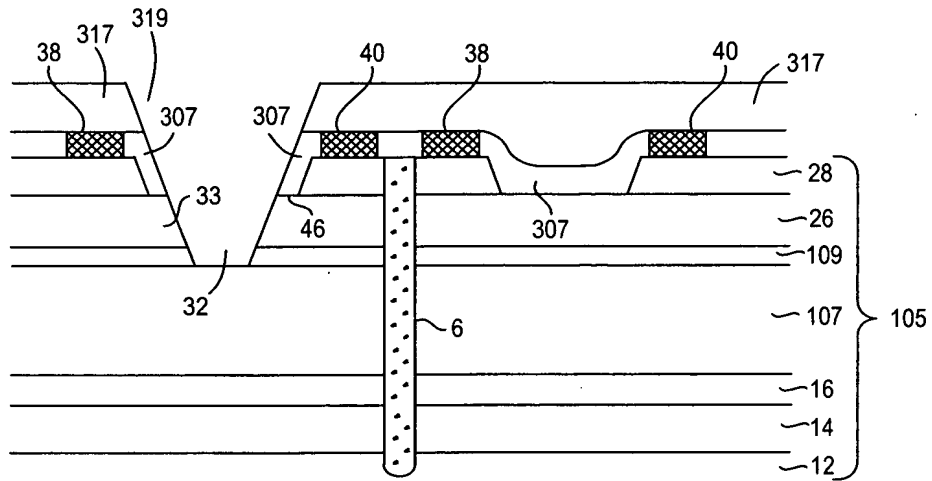


Figure 3G

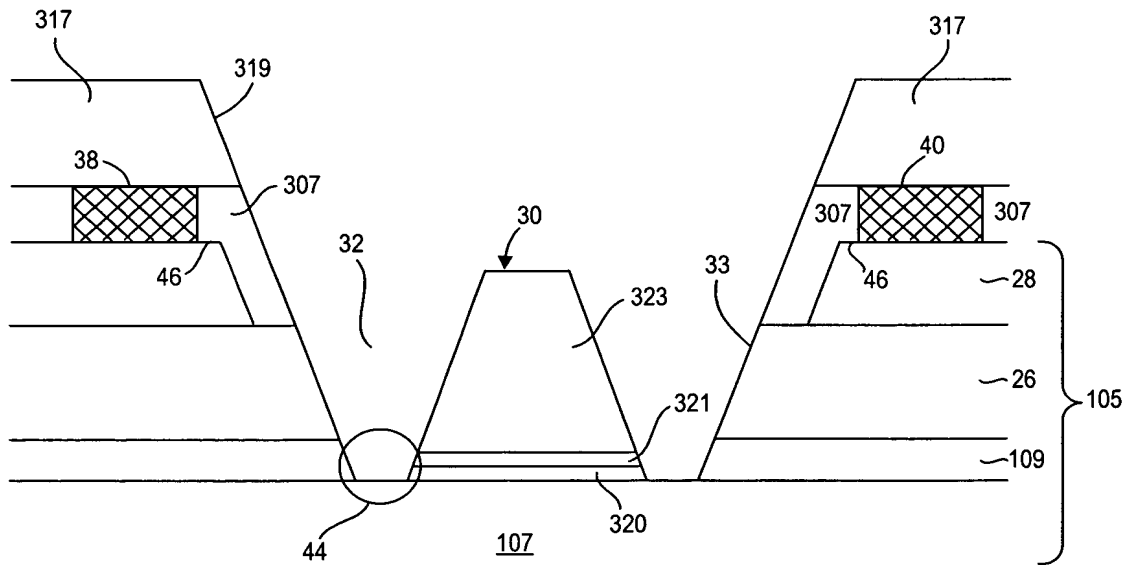


Figure 3H

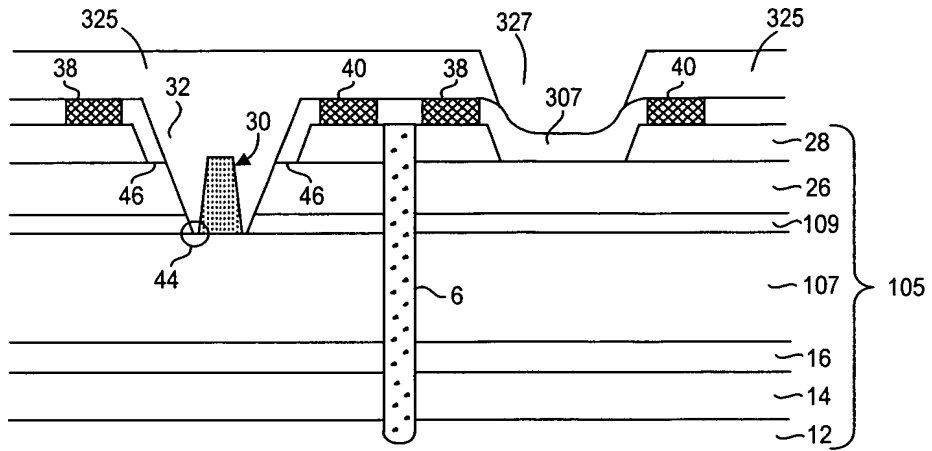


Figure 3I

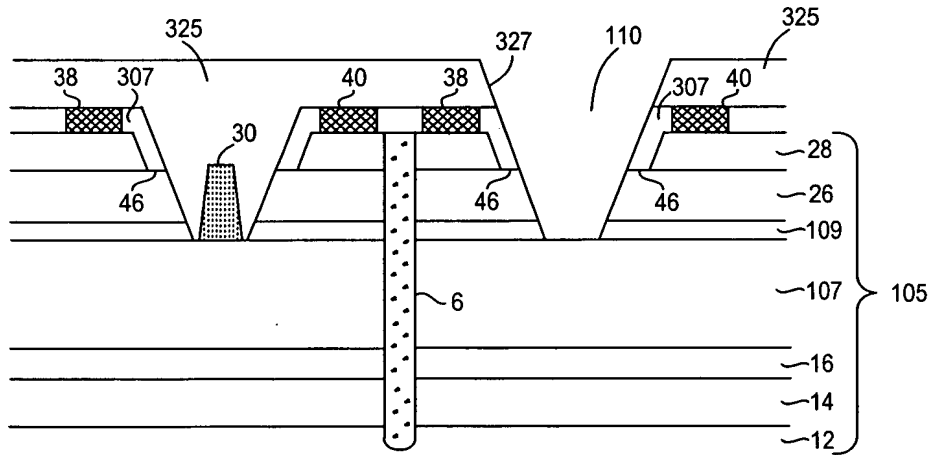


Figure 3J

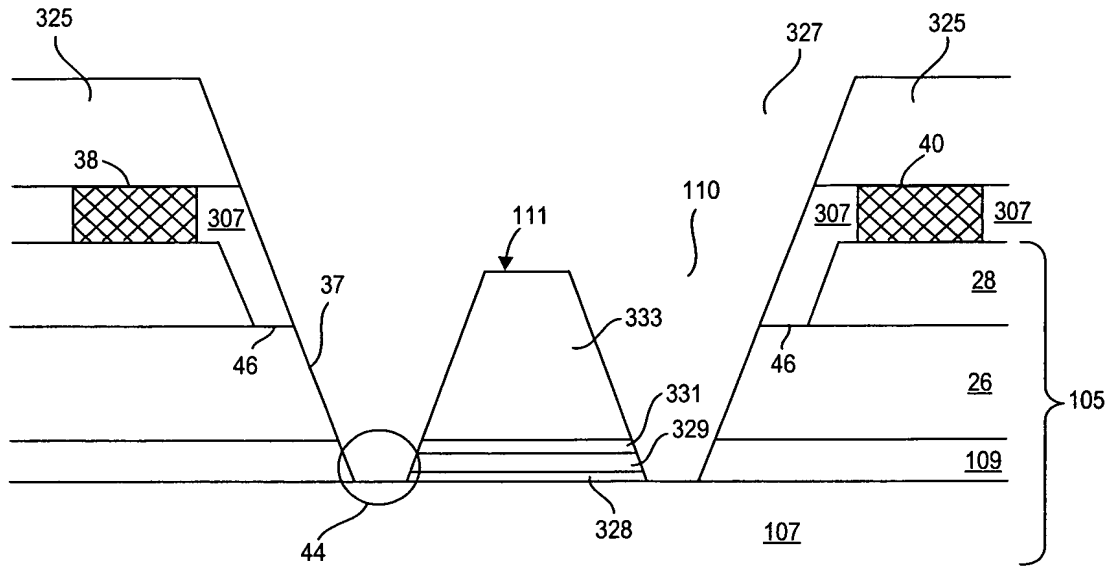


Figure 3K

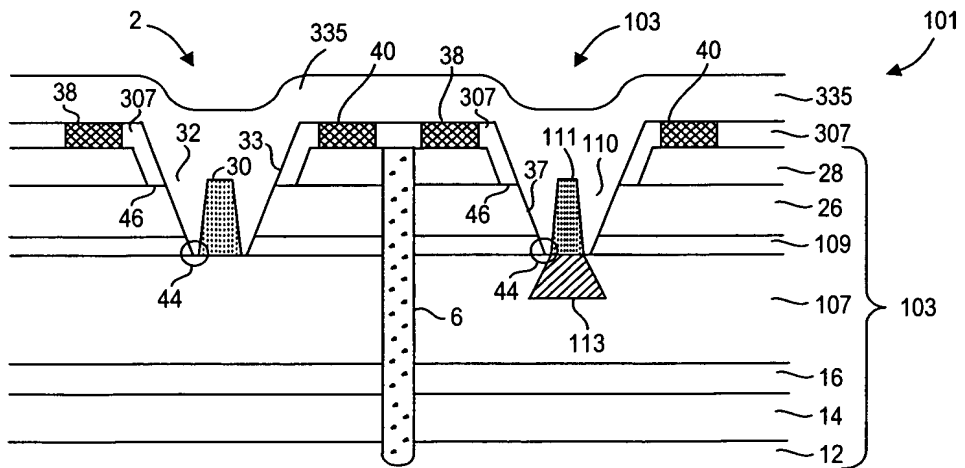


Figure 3L





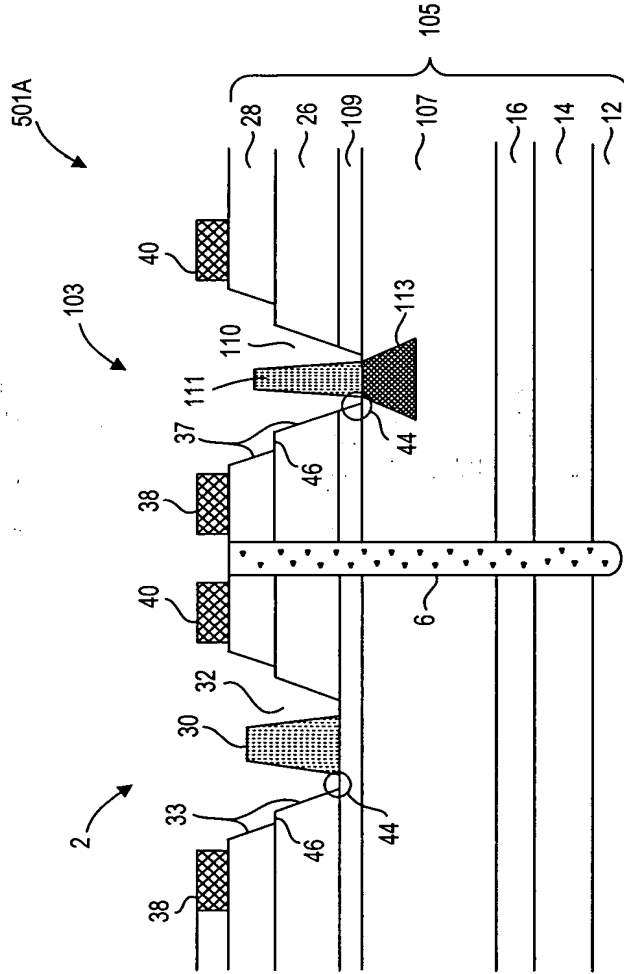


Figure 5A

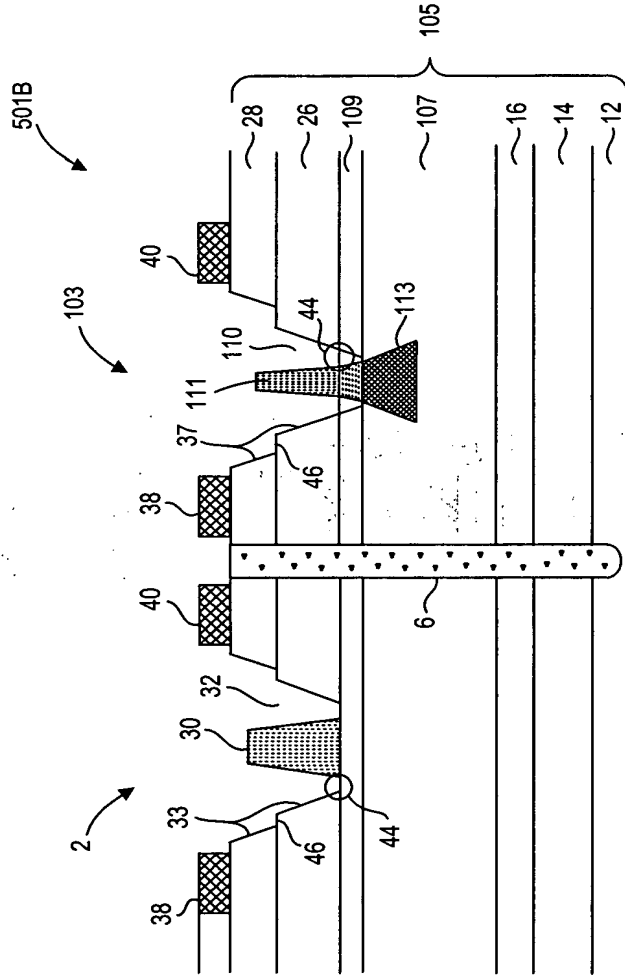


Figure 5B



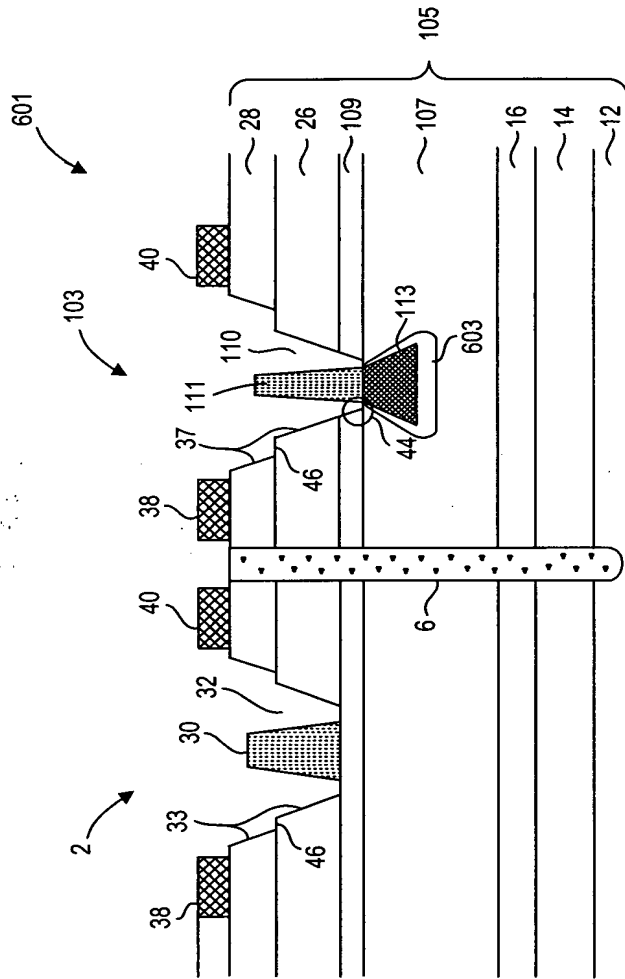


Figure 6

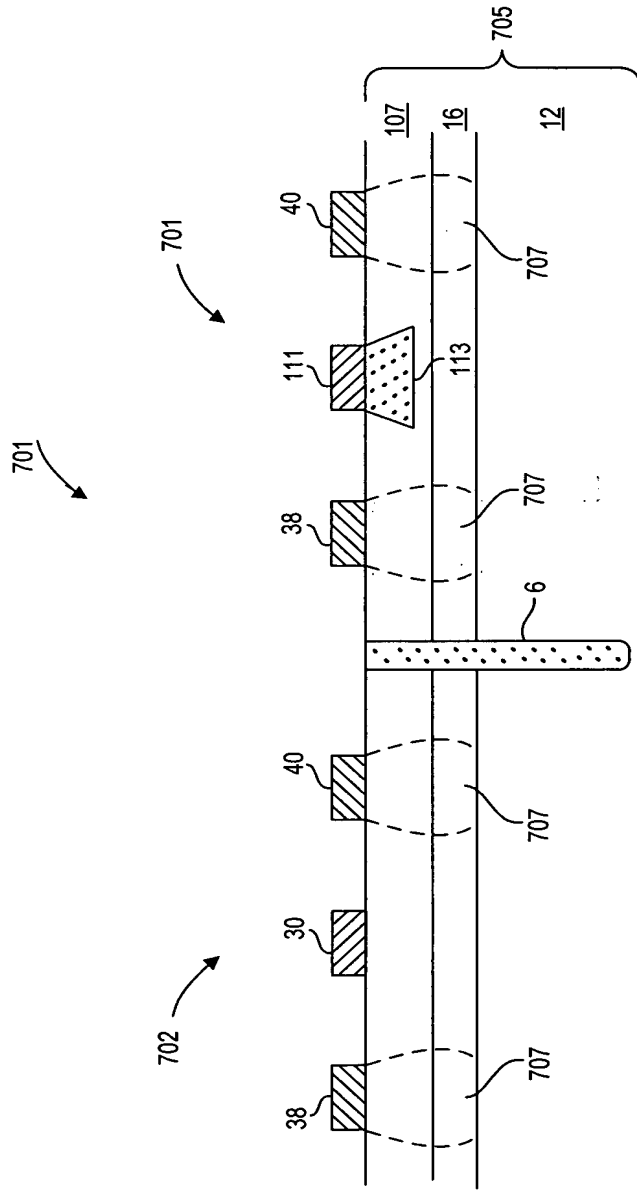


Figure 7